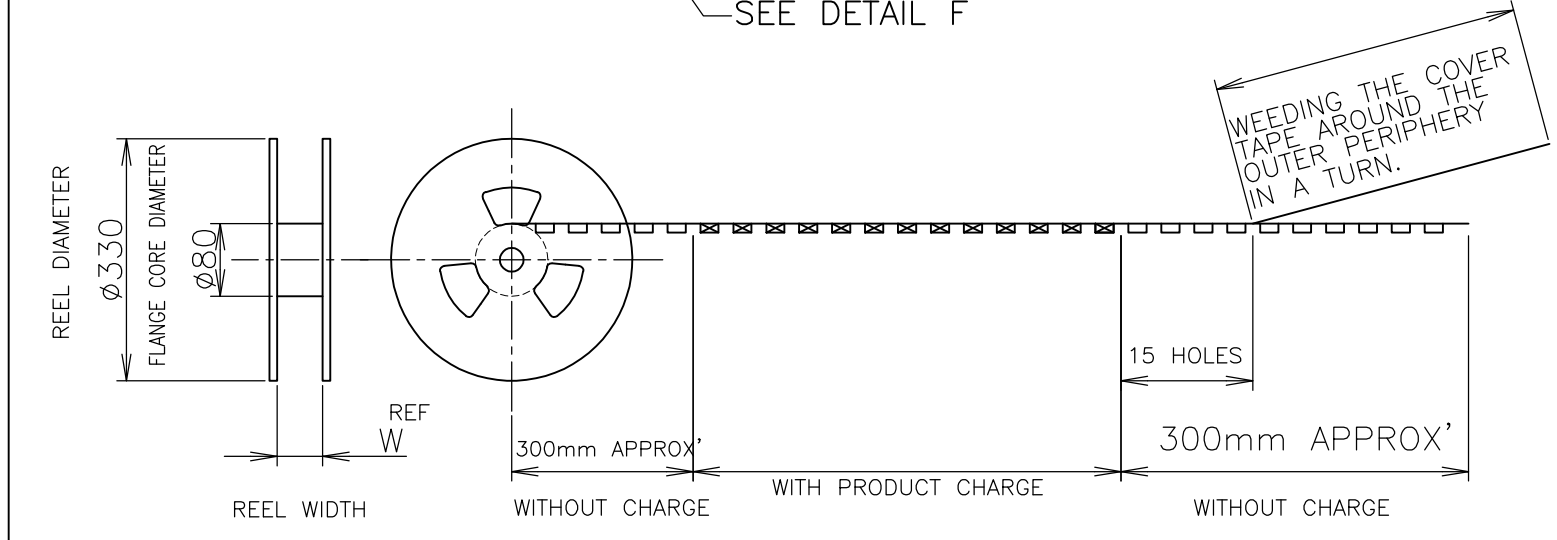
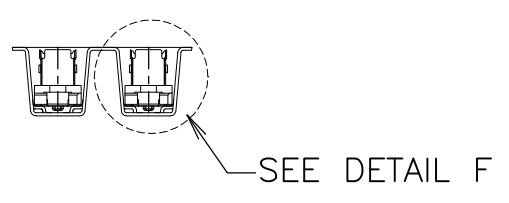
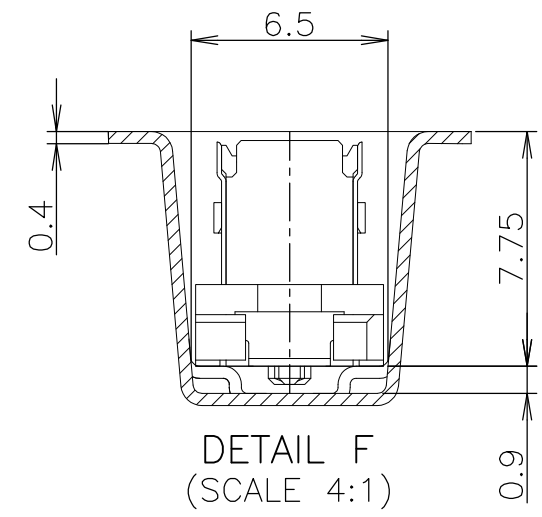
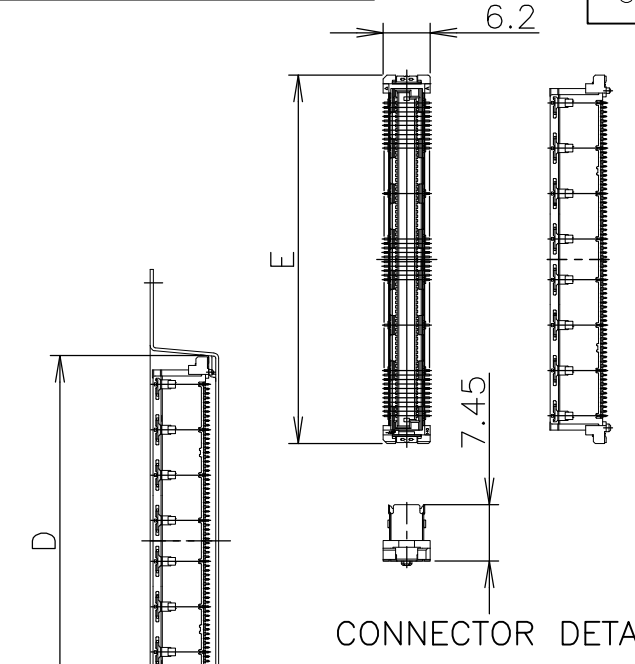
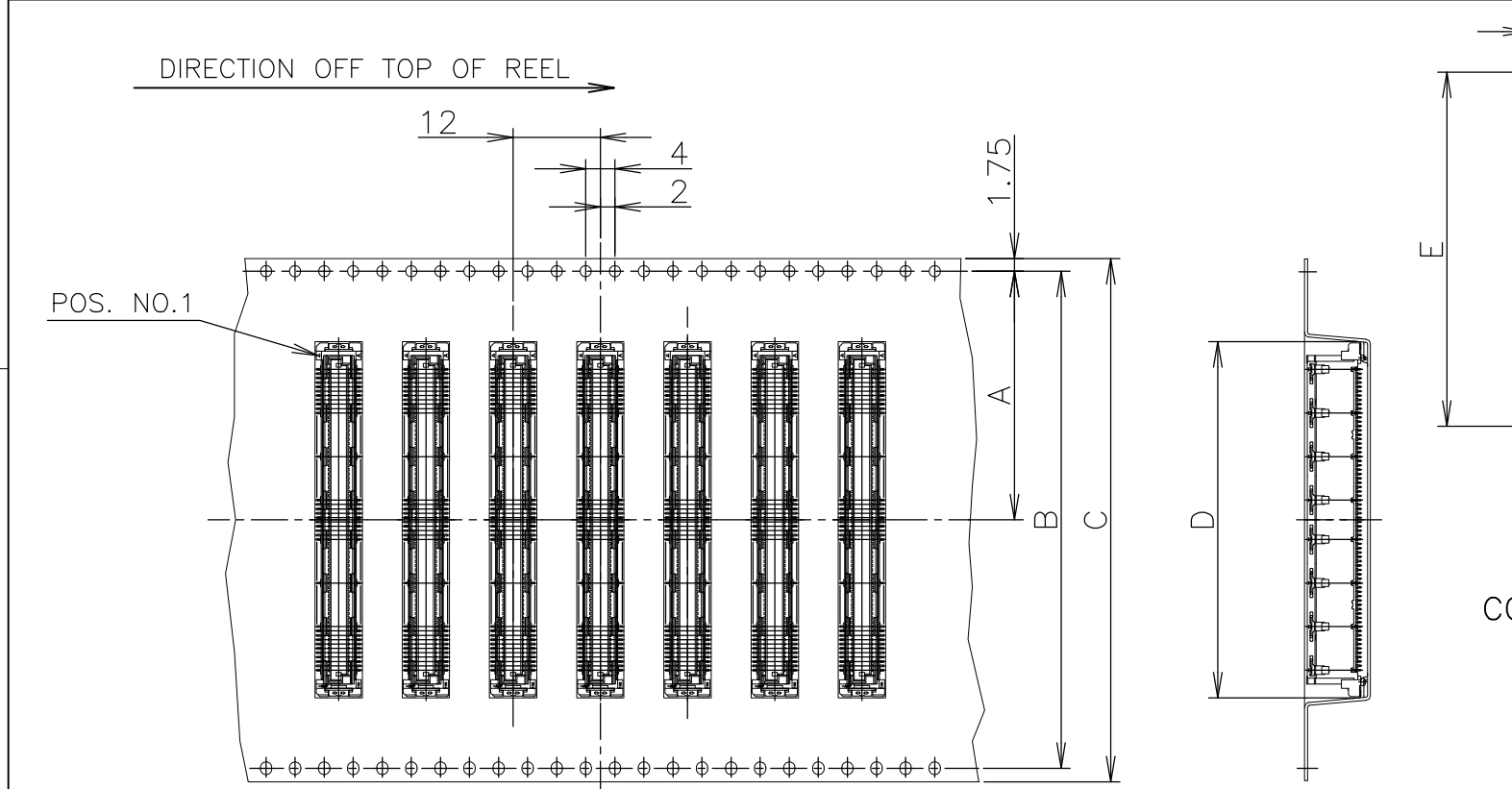


THIS DRAWING IS UNPUBLISHED. RELEASED FOR PUBLICATION JUN , 1996.  
 © COPYRIGHT 1996 BY TYCO ELECTRONICS CORPORATION. ALL RIGHTS RESERVED.

LOC	DIST	REVISIONS					
J		P	LTR	DESCRIPTION	DATE	DWN	APVD
		C		REVISED ECR-07-031084	01FEB08	T.T	T.F



SEALANT	TOOLING STATUS	QTY.	W	E	D	C	B	A	POS.	PART NO.
			AVAILABLE	600	77.5	54.7	55	72	68.4	34.2
NON SEALANT	AVAILABLE	↑	77.5	48.7	49	72	68.4	34.2	140	6-↑-0
	NOT AVAILABLE		61.5	42.7	43	56	52.4	26.2	120	5-↑-9
	↑		61.5	36.7	37	56	52.4	26.2	100	5-↑-8
	↑		61.5	33.7	34	56	52.4	26.2	90	5-↑-7
	↑		49.5	30.7	31	44	40.4	20.2	80	5-↑-6
	↑		49.5	27.7	28	44	40.4	20.2	70	5-↑-5
	↑		49.5	24.7	25	44	40.4	20.2	60	5-↑-4
	↑		37.5	21.7	22	32	28.4	14.2	50	5-↑-3
	↑		37.5	18.7	19	32	28.4	14.2	40	5-↑-2
	NOT AVAILABLE	600	29.5	15.7	16	24	—	11.5	30	5-353188-1
	AVAILABLE	600	77.5	54.7	55	72	68.4	34.2	160	1-353188-1
	AVAILABLE	↑	77.5	48.7	49	72	68.4	34.2	140	1-↑-0
	NOT AVAILABLE		61.5	42.7	43	56	52.4	26.2	120	↑-9
	↑		61.5	36.7	37	56	52.4	26.2	100	↑-8
↑		61.5	33.7	34	56	52.4	26.2	90	↑-7	
↑		49.5	30.7	31	44	40.4	20.2	80	↑-6	
↑		49.5	27.7	28	44	40.4	20.2	70	↑-5	
↑		49.5	24.7	25	44	40.4	20.2	60	↑-4	
↑		37.5	21.7	22	32	28.4	14.2	50	↑-3	
↑		37.5	18.7	19	32	28.4	14.2	40	↑-2	
NOT AVAILABLE	600	29.5	15.7	16	24	—	11.5	30	353188-1	

4 THIS PRODUCT WAS COATED BY FLUX-PENETRATION -INHIBITING AGENT.

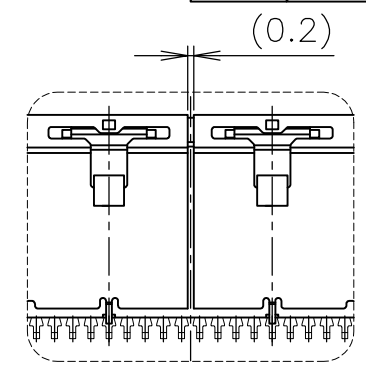
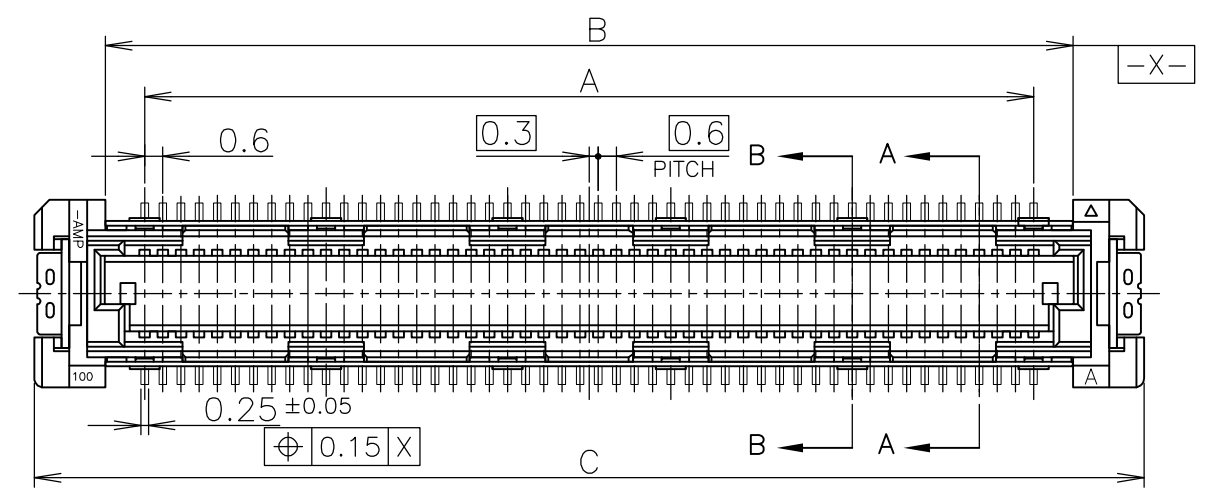
THIS DRAWING IS A CONTROLLED DOCUMENT.

DWN	T.KUSUHARA	06JUN96	Tyco Electronics Corporation Kawasaki, Japan
CHK	I.ENOMOTO	06JUN96	
APVD	Y.YOSHIMURA	06JUN96	NAME 名称
PRODUCT SPEC 製品規格 108-5468			EMBOSS ASSY FH 0.6BTB CONNECTOR PLUG 8H WITH G-PLATE
APPLICATION SPEC 取付適用規格			SIZE CAGE CODE DRAWING NO 番号 A3 00779 C-353188
MATERIAL 材料	FINISH 仕上	WEIGHT	RESTRICTED TO

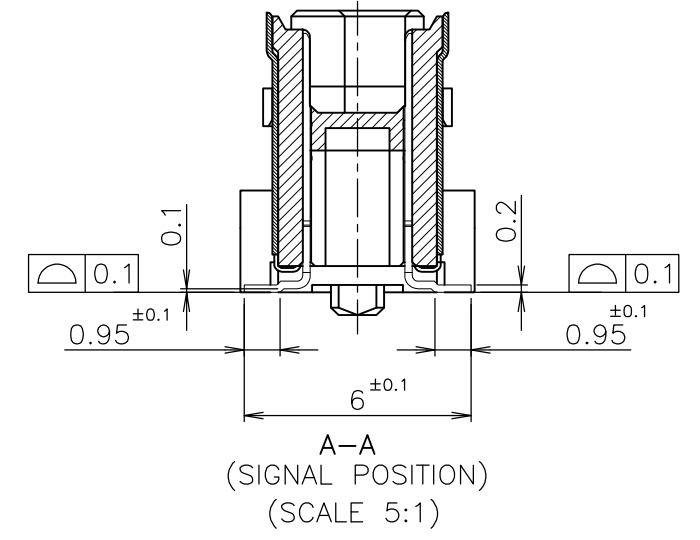
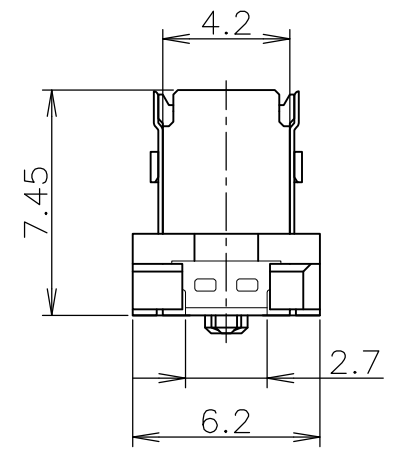
CUSTOMER DRAWING SCALE 1:1 SHEET 1 OF 3 REV C

THIS DRAWING IS UNPUBLISHED. RELEASED FOR PUBLICATION JUN ,1996.  
 © COPYRIGHT 1996 BY TYCO ELECTRONICS CORPORATION. ALL RIGHTS RESERVED.

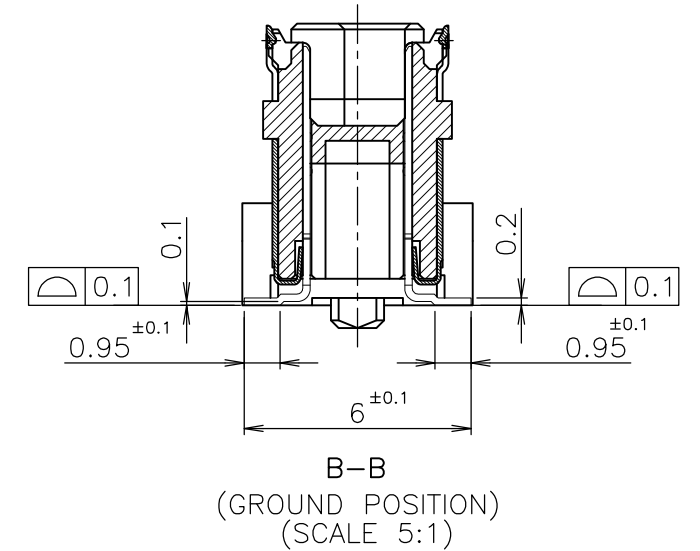
LOC	DIST	REVISIONS		
J		変更	DATE	DWN
P	LTR	DESCRIPTION		APVD
		SEE SHEET 1	-	-



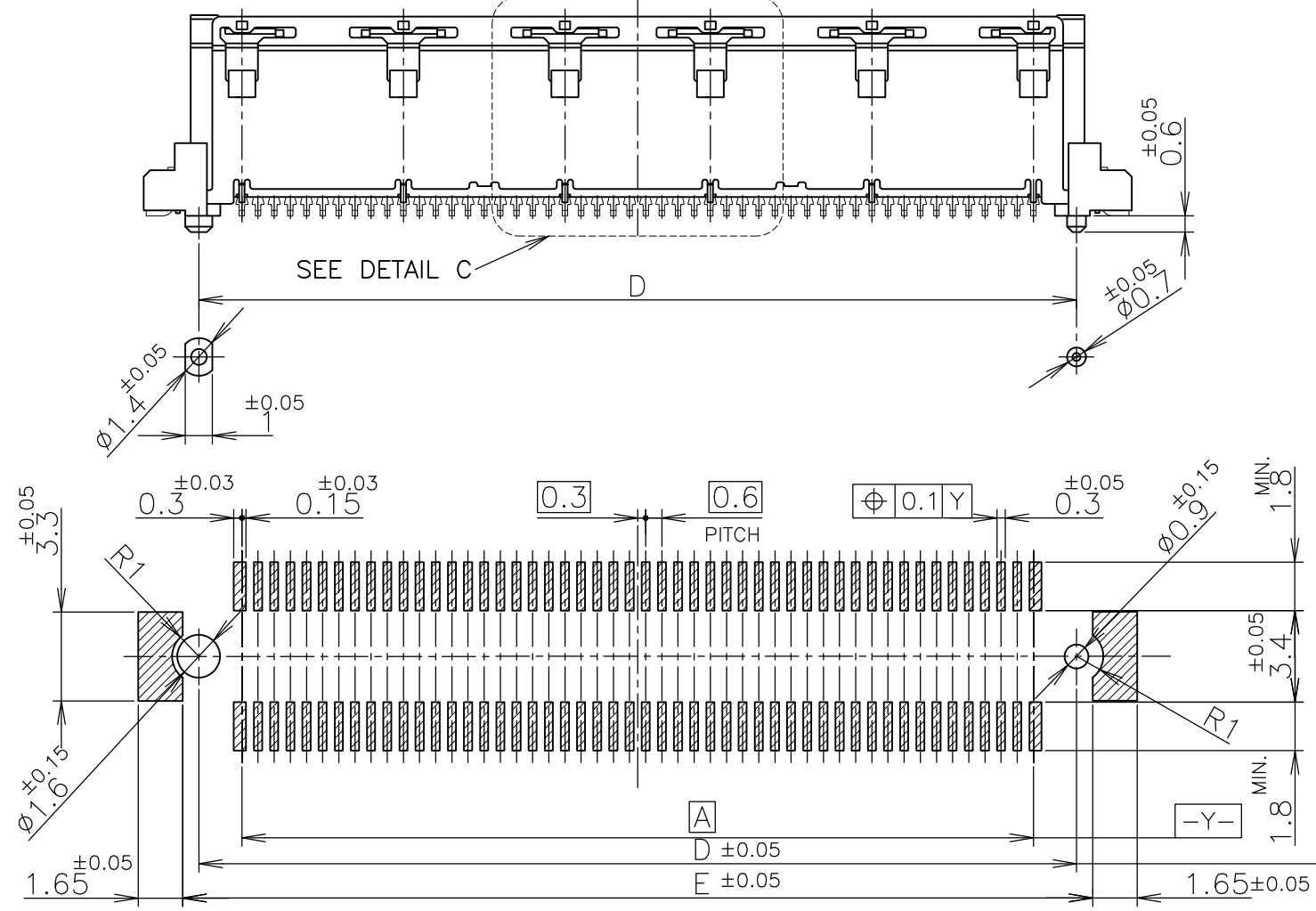
DETAIL C  
180P~240P ONLY



A-A  
(SIGNAL POSITION)  
(SCALE 5:1)



B-B  
(GROUND POSITION)  
(SCALE 5:1)



AVAILABLE	51.8	50.6	54.7	50	47.4	160
AVAILABLE	45.8	44.6	48.7	44	41.4	140
NOT AVAILABLE	39.8	38.6	42.7	38	35.4	120
	33.8	32.6	36.7	32	29.4	100
	30.8	29.6	33.7	29	26.4	90
	27.8	26.6	30.7	26	23.4	80
	24.8	23.6	27.7	23	20.4	70
	21.8	20.6	24.7	20	17.4	60
	19.8	17.6	21.7	17	14.4	50
	15.8	14.6	18.7	14	11.4	40
NOT AVAILABLE	12.8	11.6	15.7	11	8.4	30
TOOLING STATUS	E	D	C	B	A	POS

REFERENCE P.C.BOARD LAYOUT

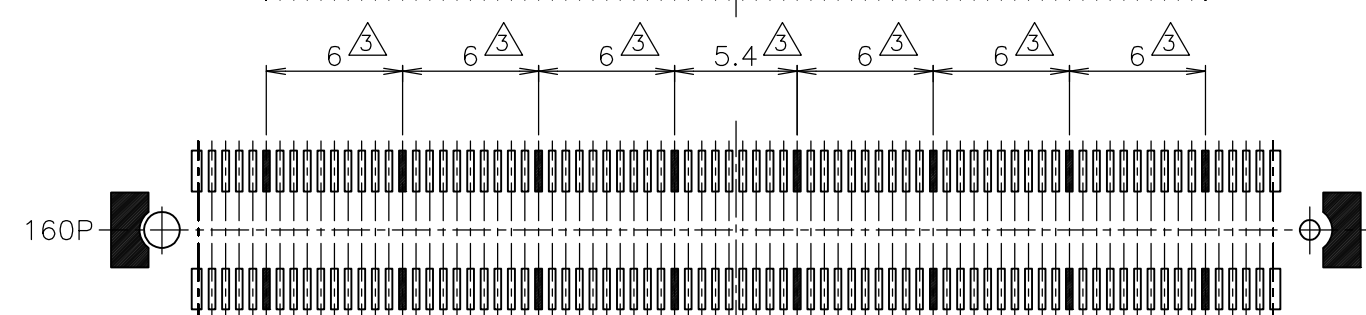
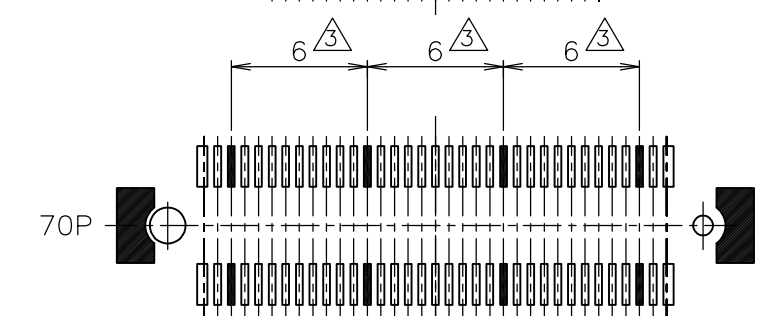
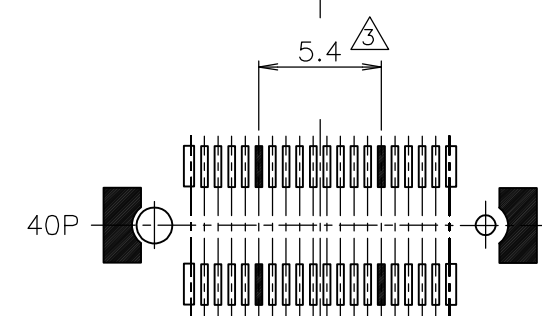
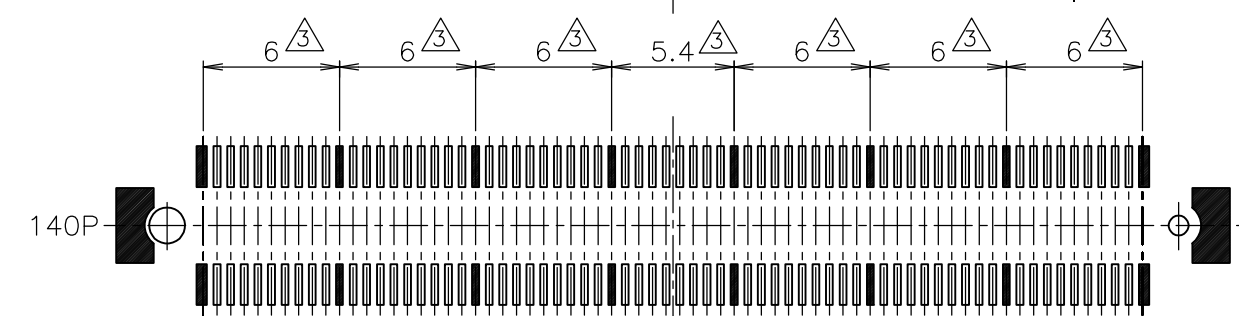
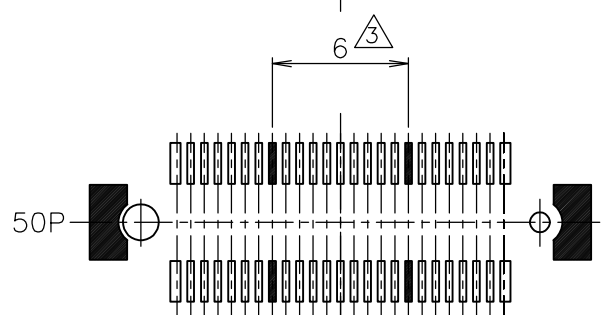
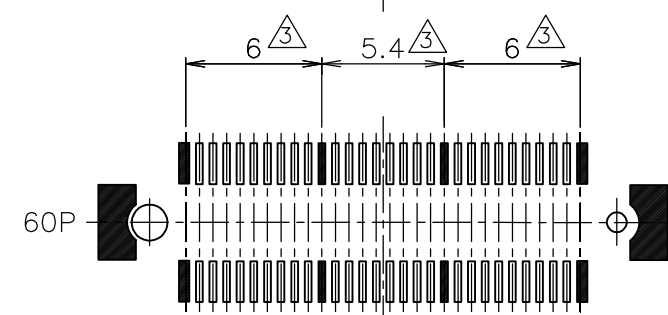
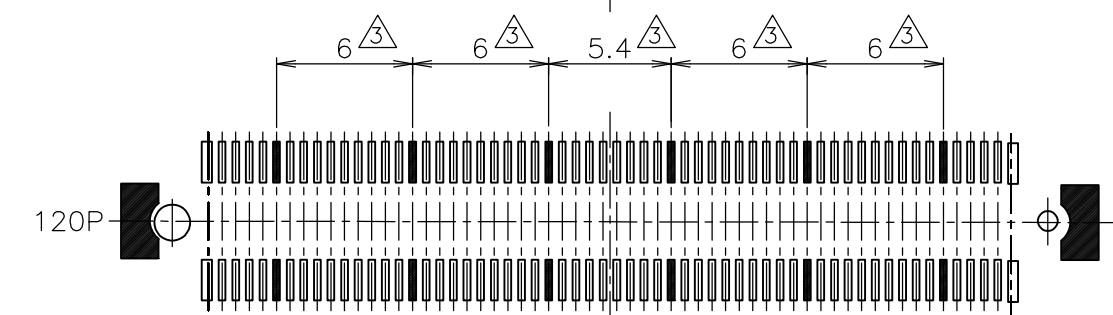
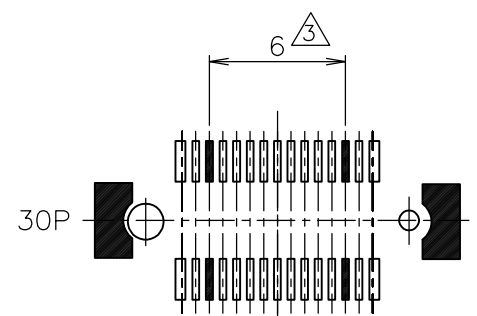
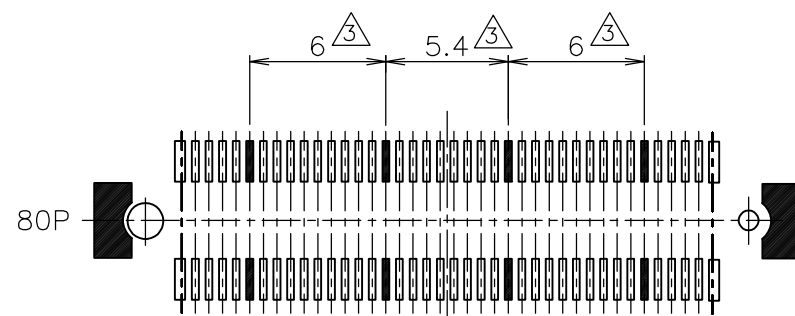
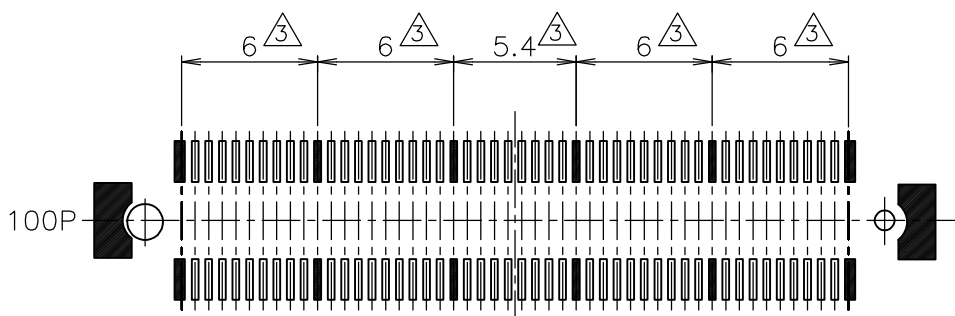
GENERAL TOLERANCE  
一般公差  
 10 ≥ ±0.2  
 30 ≥ >10: ±0.25  
 100 ≥ >30: ±0.3  
 ANGLES: ±3°

THIS DRAWING IS A CONTROLLED DOCUMENT.

DIMENSIONS: 単位: 耗 mm	TOLERANCES UNLESS OTHERWISE SPECIFIED: 一般公差	DWN	Tyco Electronics Tyco Electronics Corporation Kawasaki, Japan	
	0 PLC ± - 1 PLC ± - 2 PLC ± - 3 PLC ± - 4 PLC ± - ANGLES ± -	CHK	NAME 名称	
		APVD	EMBOSS ASSY FH 0.6BTB CONNECTOR PLUG 8H WITH G-PLATE	
MATERIAL 材料	FINISH 仕上	PRODUCT SPEC 製品規格	SIZE	CAGE CODE
		APPLICATION SPEC 取付適用規格	A3	00779
		WEIGHT	DRAWING NO 番号	RESTRICTED TO
		G-353188		
		CUSTOMER DRAWING		SCALE 尺度 4:1
				SHEET 2 OF 3
				REV C

THIS DRAWING IS UNPUBLISHED. RELEASED FOR PUBLICATION JUN , 1996.  
 © COPYRIGHT 1996 BY TYCO ELECTRONICS CORPORATION. ALL RIGHTS RESERVED.

LOC J	DIST	REVISIONS 変更			DATE	DWN	APVD
		P	LTR	DESCRIPTION			
			-	SEE SHEET 1	-	-	-



- △ MATERIAL ; HOUSING : HIGH TEMP THERMO PLASTIC UL94V-0
- △ FINISH ; UNDER PL Ni 0.0013mm MIN ALL OVER. CONTACT : COPPER ALLOY
- △ THIS POSITION IS GROUND CIRCUIT.

GENERAL TOLERANCE  
一般公差

10 ≥ : ±0.2  
 30 ≥ : >10: ±0.25  
 100 ≥ : >30: ±0.3  
 ANGLES: ±3°

THIS DRAWING IS A CONTROLLED DOCUMENT.		DWN	Tyco Electronics Corporation Kawasaki, Japan		
DIMENSIONS: 単位: 耗 mm		CHK	NAME 名称		
TOLERANCES UNLESS OTHERWISE SPECIFIED: 一般公差		APVD	EMBOSS ASSY FH 0.6BTB CONNECTOR PLUG 8H WITH G-PLATE		
0 PLC ± - 1 PLC ± - 2 PLC ± - 3 PLC ± - 4 PLC ± - ANGLES ± -		PRODUCT SPEC 製品規格	SIZE	CAGE CODE	DRAWING NO 番号
MATERIAL 材料		APPLICATION SPEC 取付適用規格	A3	00779	G-353188
FINISH 仕上		WEIGHT	CUSTOMER DRAWING		RESTRICTED TO
△ 1		SCALE 尺度 3:1		SHEET 3 OF 3	REV C